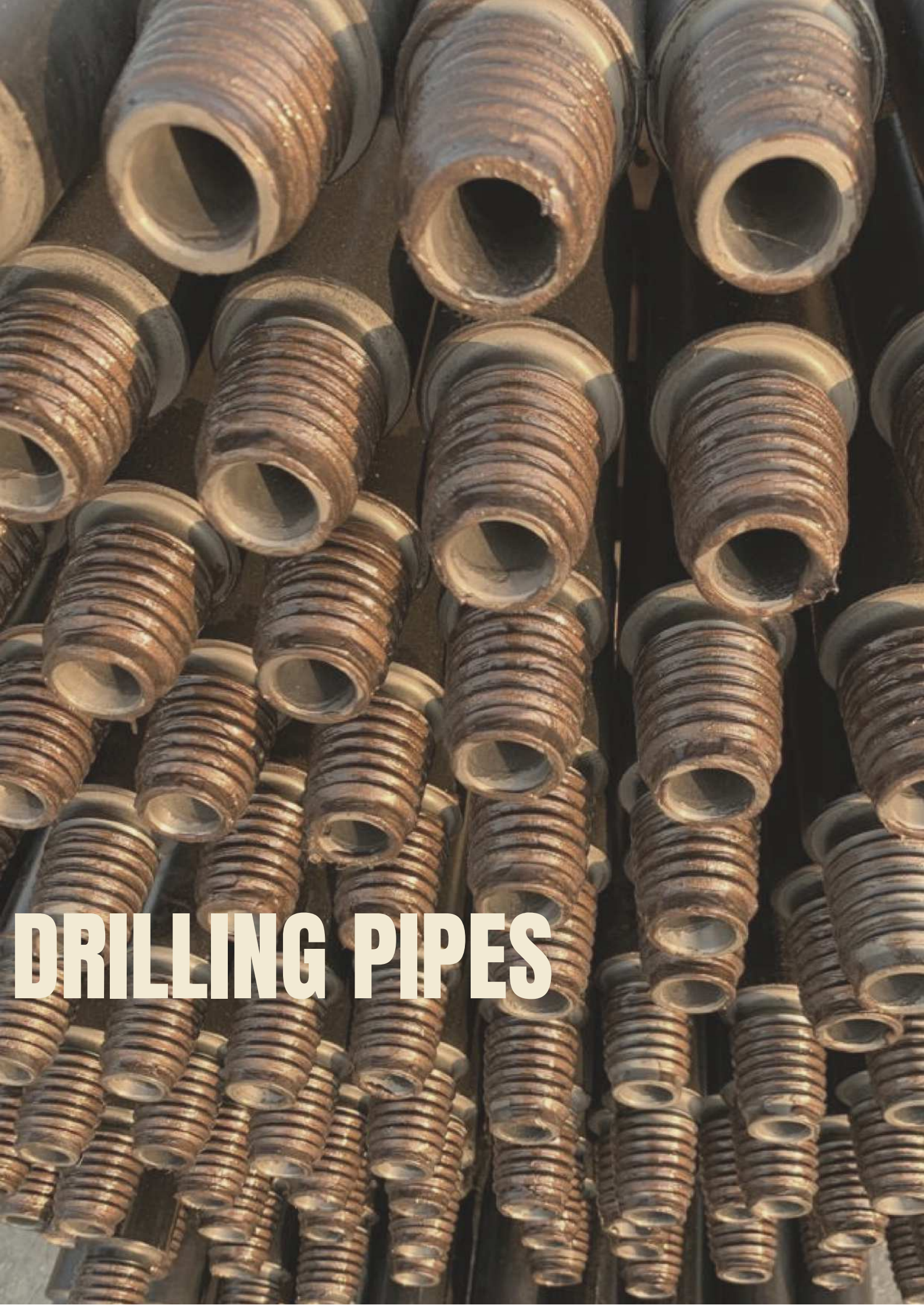




**DRILLEX**  
**DRILLING EQUIPMENT**  
**CATALOG.**

# CONTENTS

<b>3-5</b>	<b>Drilling pipes</b>
<b>6-7</b>	<b>Starting rods</b>
<b>8-9</b>	<b>Sonde housings</b>
<b>10-11</b>	<b>Drilling plates</b>
<b>12-13</b>	<b>Collars</b>
<b>14</b>	<b>Swivels</b>
<b>15</b>	<b>Pulling heads</b>
<b>16-20</b>	<b>Reamers</b>
<b>21-23</b>	<b>Drilling teeth</b>
<b>24-29</b>	<b>Welding machines</b>
<b>30-33</b>	<b>Rock equipment</b>
<b>34</b>	<b>Accessories for equipment</b>



# DRILLING PIPES

DRILLING RIG TYPE	LENGTH X THICKNESS X DIAMETER	DIAMETER AT THE KEYSTONE	THREAD TYPE	€ PRICE
D7×11, D9×13 D10×15	1829 x 6 x 42,2	48	FS1	153
D16×20,D16×22	3048 x 6,5 x 48,26	54	FS1	193
D20×22, D24×26	3048 x 6,5 x 52,4	57	FS1	200
D24×40	3048 x 7,1 x 60,3	66,7	FS1	197
D33×44, D36×50	3048 x 7,5 x 60,3	70	FS1/FS2	201
D33×44, D36×50	4572 x 7,5 x 60,3	70	FS1/FS2	284
D36×50	3048 x10,54 x 68	79	FS1	256
D36×50	4572 x 10,54 x 68	79	FS1	337
D50×100/Uni60 x70	3048 x 9,5 x 73	82,55	FS1	Individual pricing
D50×100	4572 x 9,5 x 73	82,55	FS1	Individual pricing
D50X100/D80×100	4572 x 9,35 x 88,9	92	FS1	Individual pricing
D100×120, D130×150	6096 x 12 x 89	112	FS1	Individual pricing

Prices given in the catalog are approximate prices, please contact us to present an individual price offer.

<b>DRILLING RIG TYPE</b>	<b>LENGTH X THICKNESS X DIAMETER</b>	<b>DIAMETER AT THE KEYSTONE</b>	<b>THREAD TYPE</b>	<b>€ PRICE</b>
JT520 JT5	1500 x 7 x 23,7	44,45	DW	149
JT920 JT10 JT922	2000 x 6 x 42,2	50,8	DW	159
JT1220 JT1220M1	3000 x 6,5 x 48,2	60,3	DW	193
JT1720 JT1720M1	3000 x 6,5 x 54	63,5	DW	195
JT2020 JT20	3000 x 7,5 x 54	66,7	DW	200
JT2720	3000 x 7,5 x 60,3	70	DW	205
JT25 JT2720M1 3020M1	3000 x 8,5 x 60,3	76	DW	207
JT4020	4500 x 10 x 73	82,5	DW	370
JT4020M1	4500 x 10,5 x 73	89	DW	372
JT7020 JT8020	4500 x 9,35 x 88,9	101,6	DW	Individual pricing

Prices given in the catalog are approximate prices, please contact us to present an individual price offer.



**Starting rods**

## Starting rods

<b>DRILLING RIG TYPE</b>	<b>€ PRICE</b>
Ditch Witch JT5 JT520F JT520	Individual pricing
Ditch Witch JT9/JT10/JT922	Individual pricing
Ditch Witch JT1220	Individual pricing
Ditch Witch JT1720	Individual pricing
Ditch Witch JT2020	Individual pricing
Ditch Witch JT2720M1	Individual pricing
Ditch Witch JT3020M1	Individual pricing
Vermeer D7x11 LPT 1,625	Individual pricing
Vermeer D16x20; D20x22; D24x40; D36x50 LPT 2,125	Individual pricing
Vermeer D7 QF 300	Individual pricing
Vermeer QF400	Individual pricing
Vermeer QF460	Individual pricing

We also have starting rods for many other types drilling rigs.  
Ask us for availability!

Prices given in the catalog are approximate prices, please contact us to present an individual price offer.

# Housings





Size	Drilling rig type	€ PRICE
	Vermeer	
63,5 mm/2,5"	D7x11, D10x14, D16x20	690
76,2 mm/3"	D20x22, D24x40, D36x50 I	750
89 mm/ 3,5"	D36x50 II	780
108 mm/4,25"	D80x100	960

Size	Drilling rig type	€ PRICE
	Ditch Witch	
63,5mm/ 2,5"	DW	570
76,2mm/ 3"	DW	750
89 mm/ 3,5"	JT2720, JT3020	790
108 mm/ 4,25"	JT4020, JT4020M1	1020
114 mm/ 4,5"	JT7020	1050

Trihawk type housings	Ditch Witch	€ PRICE
70 mm/ 2,75" 90 mm 2"IF	DW	1650
89 mm/ 3,5" 120 mm 2 3/8"Reg	DW	2090
108 mm/ 4,25" 140 mm/159mm API-NC31/2	DW	2210

Prices given in the catalog are approximate prices, please contact us to present an individual price offer.

# Drilling plates



## P-Type



Destiny	Size	Width	Number of coupling holes
Vermeer	P 3	93-100	6
Vermeer	P 3.5	107-114	6
Vermeer	P 4	118-125	6
Vermeer	P 4.5	133-140	6

## F-Type

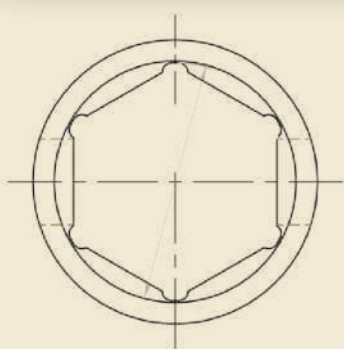


Destiny	Size	Width	Number of coupling holes
Ditch Witch	F 3	93-100	5
Ditch Witch	F 3	93-100	6
Ditch Witch	F 3.5	107-114	5
Ditch Witch	F 3.5	107-114	6
Ditch Witch	F 4	118-125	5
Ditch Witch	F 4	118-125	6

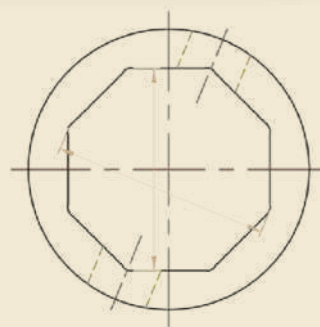


**Collars**

<b>DRILLING RIG TYPE</b>	<b>€ PRICE</b>
Ditch Witch JT5 JT520F JT520	Individual pricing
Ditch Witch JT9/JT10/JT922	Individual pricing
Ditch Witch JT1220	Individual pricing
Ditch Witch JT1720	Individual pricing
Ditch Witch JT2020	Individual pricing
Ditch Witch JT2720M1	Individual pricing
Ditch Witch JT3020M1	Individual pricing
Vermeer D7x11 LPT 1,625	Individual pricing
Vermeer D16x20; D20x22; D24x40; D36x50 LPT 2,125	Individual pricing
Vermeer D7 QF 300	Individual pricing
Vermeer QF400	Individual pricing
Vermeer QF460	Individual pricing



Cross-section of Vermeer collar



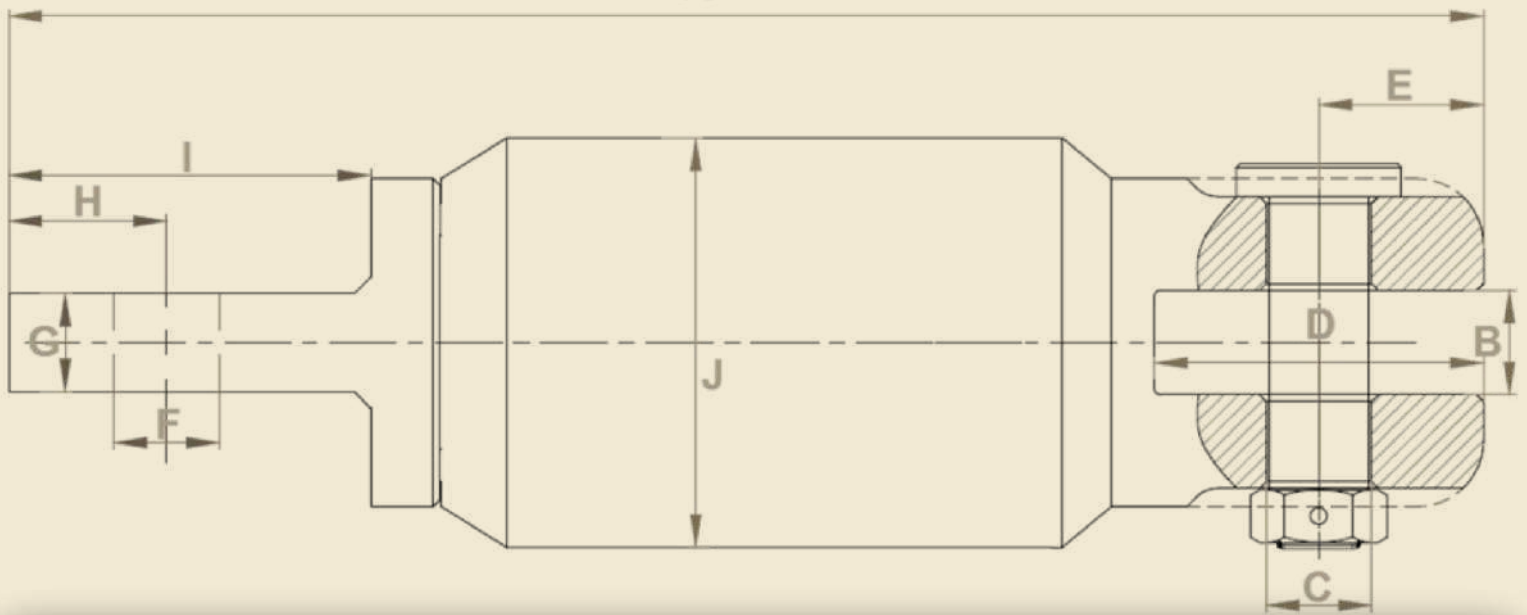
Cross-section of Ditch Witch collar

The more expensive price applies to the sleeve with an additional welded carbide.

# Swivels



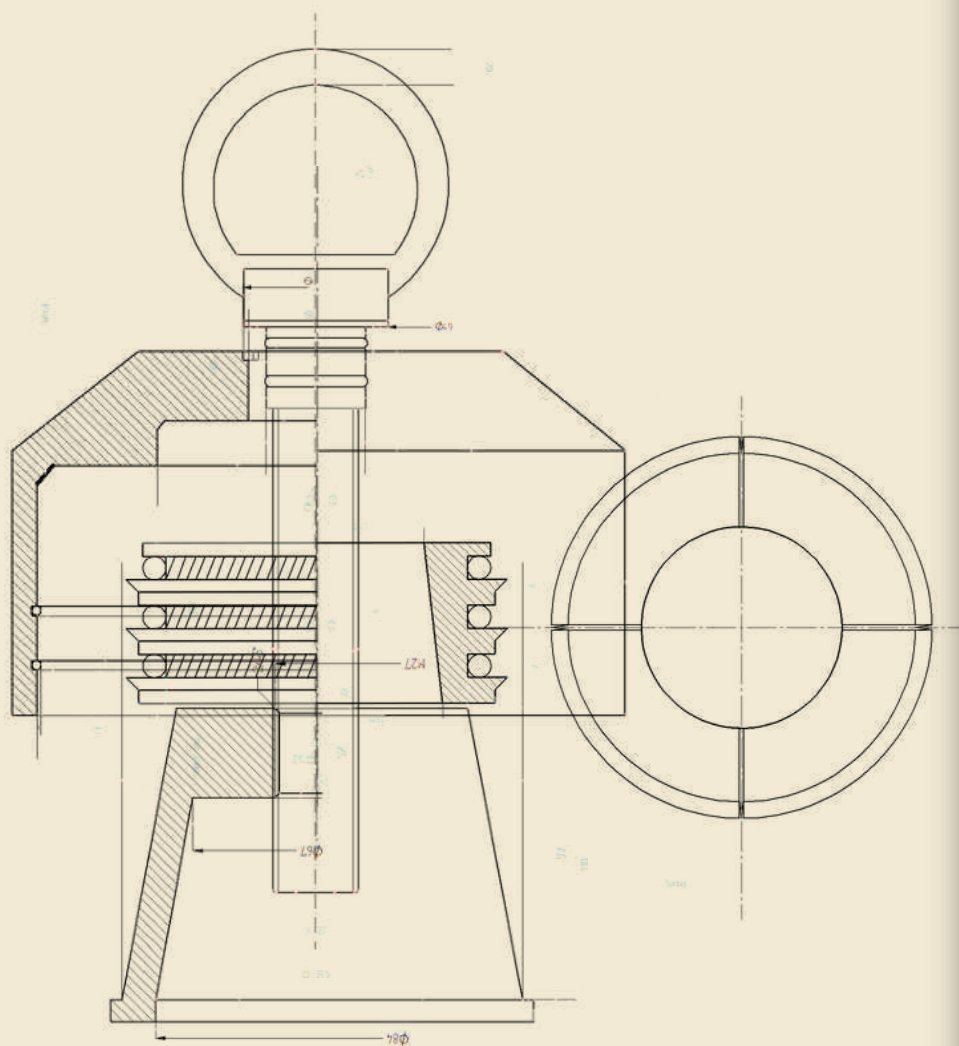
A



Pull	A	B	C	D	E	F	G	H	I	J	EURO PRICE
5 T	315,7	25,4	21,5	67	33,25	22,5	23,5	33,25	72	92	322
10 T	413,3	32	32	100	50	32	30	48	110	115	433
20 T	448	32	32	100	50	32	30	48	110	125	544

We offer swivels with a pulling force from 2.5T to 60T.

# Pulling heads



Φ	EURO PRICE
32	39
40	45
50	50
63	59
75	78
90	105
110	141
125	162
140	205
160	239
180	319
200	402
225	486
250	606
315	1025

We offer pulling heads for bigger diameters also

Prices given in the catalog are approximate prices, please contact us to present an individual price offer.

# Reamers





# Reamers

## Fluted



Φ	€ PRICE
150	640
200	680
250	900
300	1110
350	1260
400	1750
450	1880
500	2190
550	2500
600	2800
700	2970

## Kodiak



Φ	€ PRICE
200	890
250	1080
300	1415
350	1420
400	1820
450	2170
500	2660
550	3080
600	3530
700	4780

The price does not include an adapter for a appointed machine (75-145 EUR)

Prices given in the catalog are approximate prices, please contact us to present an individual price offer.

100mm-3 1/2" Rc9

**Kodiak**



# Reamers

## Diamond



## Paddle



## Fly Cut



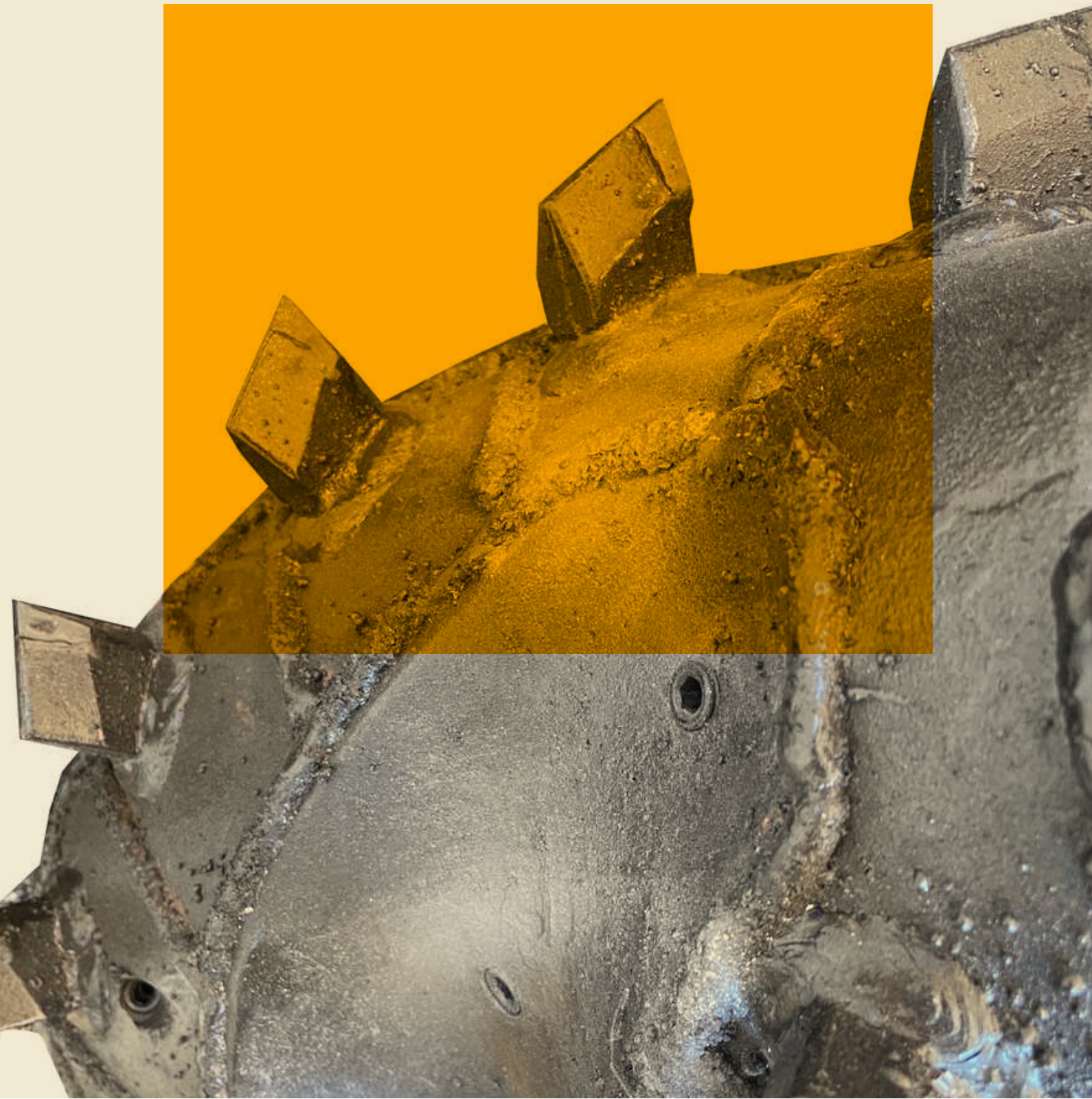
$\Phi$	€ PRICE
150	620
200	700
250	900
300	1060
350	1140
400	1600
450	1710
500	1880
550	2200
600	2370
700	2630

The price does not include an adapter for a appointed machine (75-145 EUR)

Prices given in the catalog are approximate prices, please contact us to present an individual price offer.

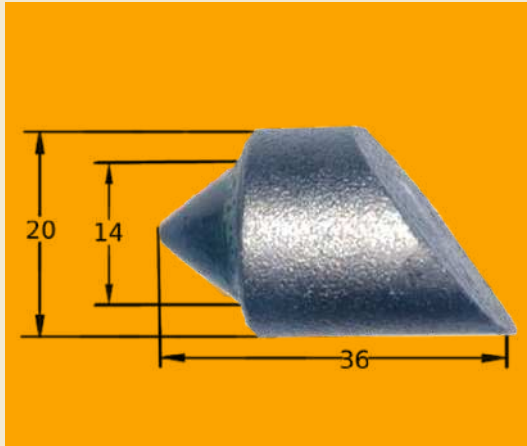


# Drilling teeth



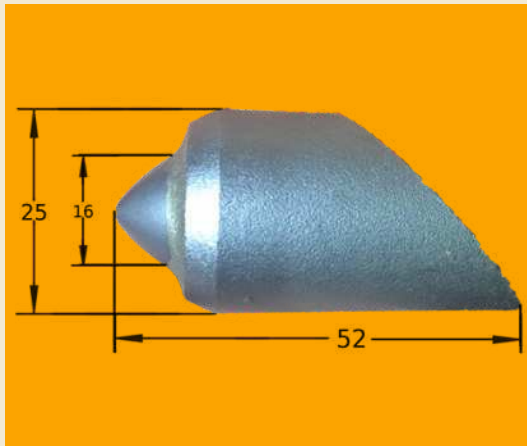
# Drilling teeth

€ PRICE



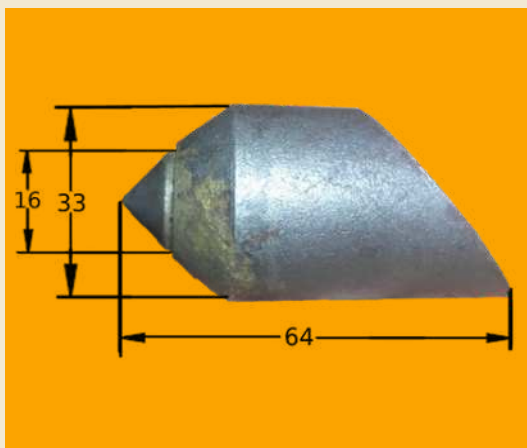
**BR1**

**4,4**



**BR3**

**6,6**

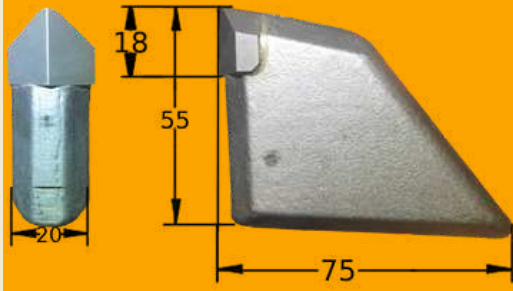


**BR4**

**8,4**

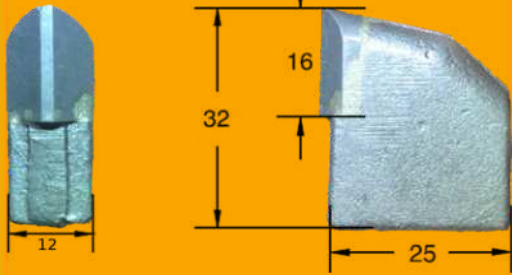
Prices given in the catalog are approximate prices, please contact us to present an individual price offer.

**€ PRICE**



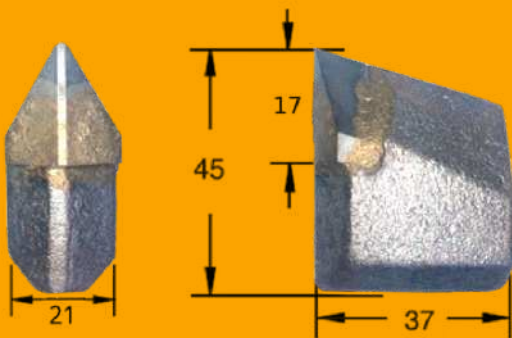
**DT87**

**8,6**



**RT1**

**5**



**RT2**

**6,5**

**TH1**



**25**

Tooth for quick connector. Fits the trihawk housing from our offer.

# Welding machines





# With manual thrust



## HD-SD160

Welding diameter [mm]	€ PRICE
50,63,75,90,110,125,140, 160	570

## HD-SD200

Welding diameter [mm]	€ PRICE
50,63,75,90,110,125,140, 160, 180, 200	670

Prices given in the catalog are approximate prices, please contact us to present an individual price offer.

# With manual thrust and manometer

## HD-LG160



Welding diameter [mm]	€ PRICE
50,63,75,90, 110,125,140, 160	750

## HD-LG200



Welding diameter[mm]	€ PRICE
50,63,75,90, 110,125,140, 160, 180,200	825

Prices given in the catalog are approximate prices, please contact us to present an individual price offer.

# With hydraulic thrust

## HD-YY160



Welding diameter [mm]	€ PRICE
50,63,75,90,110,125,140,160	2200

## HD-YY200

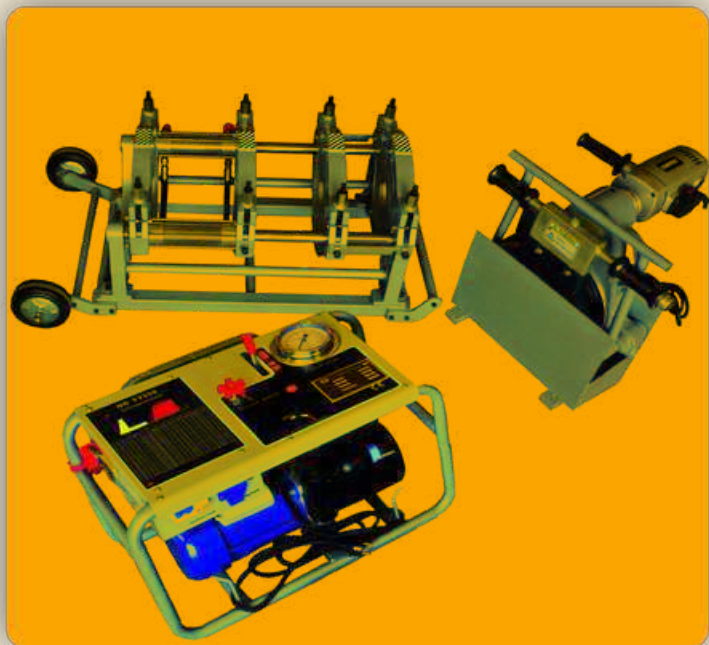


Welding diameter [mm]	€ PRICE
50,63,75,90,110,125,140,160,180,200	2425

Prices given in the catalog are approximate prices, please contact us to present an individual price offer.

# With hydraulic thrust

## HD-YY250



Welding diameter [mm]	€ PRICE
90, 110,125,140, 160,180,200, 225,250	2825

## HD-YY315

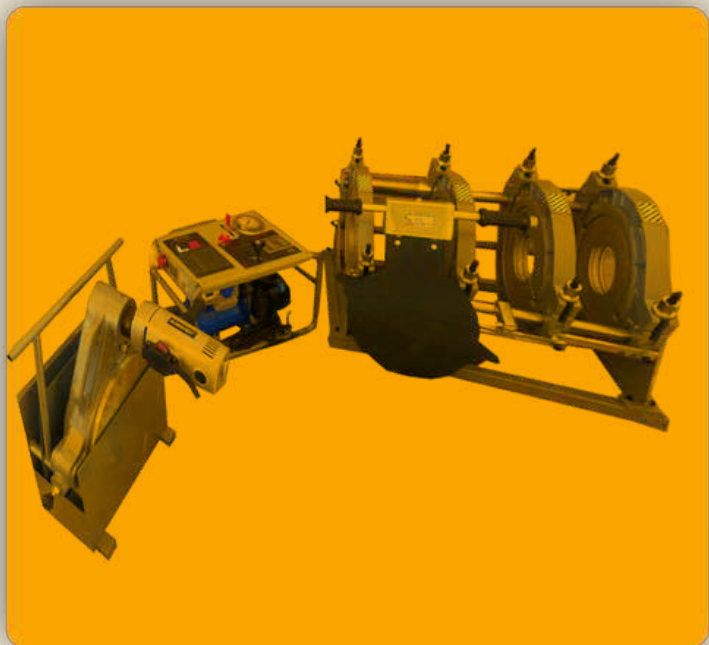


Welding diameter [mm]	€ PRICE
90, 110,125,140, 160,180,200,225,250,280, 315	3255

Prices given in the catalog are approximate prices, please contact us to present an individual price offer.

# With hydraulic thrust

## HD-YY355



Welding diameter [mm]	€ PRICE
160,180,200, 225,250, 280,315,355	4750

## HD-YY400



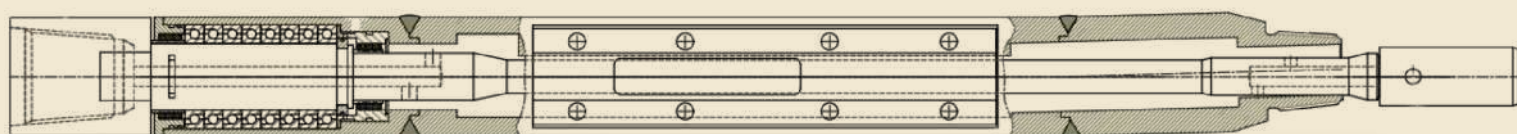
Welding diameter [mm]	€ PRICE
250,280, 315,355,400	5970

Prices given in the catalog are approximate prices, please contact us to present an individual price offer.

# Rock equipment



# ROCKMASTER housing



Drilling rig type	€ PRICE
AT30	4200
AT40	Individual pricing
AT4020 AT60	Individual pricing

## AT Drilling pipes



Drilling rig type	€ PRICE
AT30	380
AT40	Individual pricing
AT4020	Individual pricing
AT60	Individual pricing

Prices given in the catalog are approximate prices, please contact us to present an individual price offer.

# Rock bits

## Tricone



## PDC



Size [ " / mm ]	€ PRICE
5 7/8" / 142.9mm	910

Size [ " / mm ]	€ PRICE
5 7/8" / 142.9mm	1400

The bits sizes given in the table are sample sizes. We are able to supply heads up to sizes 22" / 558.8 mm



Prices given in the catalog are approximate prices, please contact us to present an individual price offer.



# Rock reamers

## Holeopener

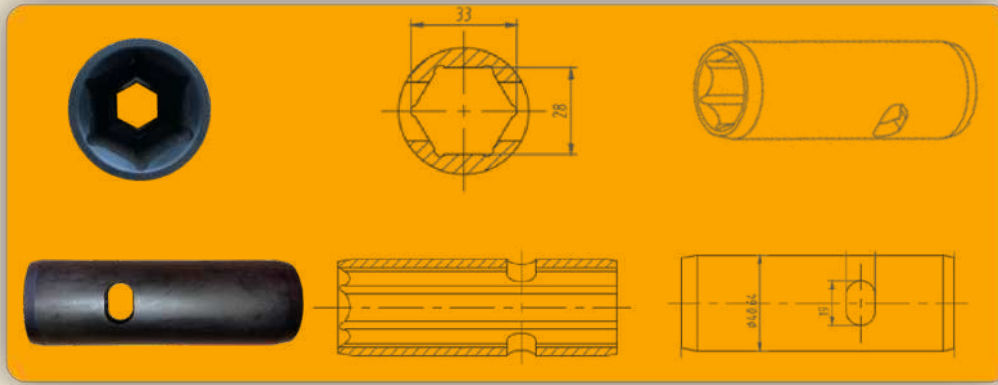


Diameter	€ PRICE
200	Individual pricing
250	Individual pricing
300	Individual pricing
350	Individual pricing
400	Individual pricing
450	Individual pricing
500	Individual pricing
550	Individual pricing
600	Individual pricing
700	Individual pricing
1000	Individual pricing

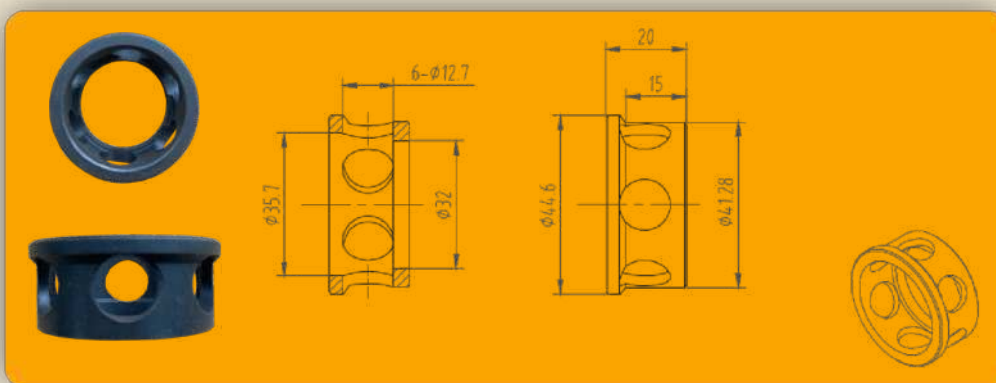
Prices given in the catalog are approximate prices, please contact us to present an individual price offer.

# Equipment accessories

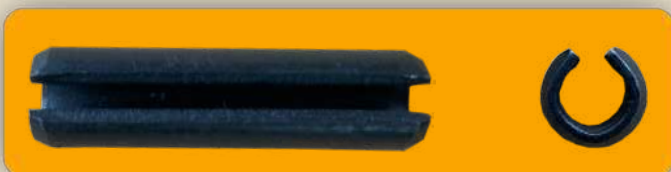
## Bushing for AT pipes



## Ring for AT pipes



## Pivot for AT pipes



## Reamer nozzles



## Rod wipers





**DRILLEX**

**MACIEJ KUR**

**DRILLEX.HANDEL@GMAIL.COM**

**DRILLEX.PL**

